

Large enclosures

Free-standing enclosures ES 5000

16 sizes
600 x 1600 x 400 mm
up to
1800 x 2000 x 500 mm

3 variants
including mounting plate

Sheet steel,
spray finished
Page 94 – 97



Stainless steel
Page 292/293



EMC shielded
Page 304/305



Baying systems

– TS 8*
– PS 4000 (see page 134 – 139)

36 sizes
600 x 1400 x 500 mm
up to
1200 x 2200 x 600 mm or
1200 x 2000 x 800 mm

10 variants

Sheet steel,
spray finished
Page 106 – 123



Electronics
Page 124/125



For modular
front design
Page 126/127



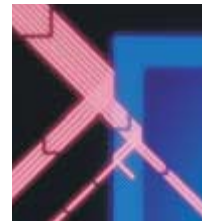
For isolator lock
Page 128/129



Corner enclosures
Page 917



EMC shielded
Page 304/305



Stainless steel
Page 294/295



Climate controlled enclosures
Page 454 – 459

Low-voltage
power distribution
Page 668 – 673

Network enclosures
Page 702 – 707

* For new designs, we recommend the less expensive TS 8 enclosure system, which has been improved in many details.

The original – proven a million times over

The highly successful Rittal AE series of compact enclosures has been on the market for over 30 years. A continuously updated and extended range now offers a standard of quality unrivalled in large-scale industrial production. This accounts for its attractive value for money, not to mention excellent design and numerous important, internationally recognised approvals and authorisations.

A choice of 68 different variants with a painted surface finish, in stainless steel, EMC shielded, single-door or double-door versions, with glazed door or operating panel, covers every conceivable requirement.

German patent no. P 3812 972
US patent no. 4,951,980
German registered design no. 1MR 371
IR reg. design no. DM/011 876
with validity for BE, CH, ES, FR, IT, LU, NL
European patent no. P 0 349 713
with validity for FR, GB, IT

AE compact enclosures have the following approvals (except AE with glazed door):

- UL
- CSA
- TÜV
- Germanischer Lloyd
- Norske Veritas
- Russian Maritime Register of Shipping
- Lloyds Register of Shipping
- Bureau Veritas
- VDE



AE compact enclosures, sheet steel				
Width mm	Height mm	Depth mm	Model No. AE	Page
200	300	120	1032.600	68/69
200	300	155	1035.600	68/69
300	300	210	1033.600	68/69
300	400	210	1034.600	68/69
380	300	155	1030.600	68/69
380	300	210	1031.600	68/69
380	380	210	1380.600	68/69
380	600	210	1038.600	70/71
380	600	350	1338.600	70/71
400	500	210	1045.600	70/71
500	500	210	1050.600	70/71
500	500	300	1350.600	70/71
500	700	250	1057.600	70/71
600	380	210	1039.600	68/69
600	380	350	1339.600	68/69
600	600	210	1060.600	70/71
600	600	350	1360.600	70/71
600	760	210	1076.600	70/71
600	760	350	1376.600	70/71
600	800	250	1058.600	70/71
600	1000	250	1090.600	70/71
600	1200	300	1260.600	76/77
760	760	210	1077.600	72/73
760	760	300	1073.600	72/73
800	1000	300	1180.600	72/73
800	1200	300	1280.600	76/77
1000	760	210	1100.600	78/79
1000	760	300	1130.600	78/79
1000	1000	300	1110.600	78/79
1000	1200	300	1213.600	80/81
1000	1400	300	1114.600	80/81

AE compact enclosures with glazed door/with operating panel					
Width mm	Height mm	Depth mm	Model No. AE with glazed door	Model No. AE with operating panel	Page
380	300	155	–	1030.680*	74/75
380	300	210	–	1031.680*	74/75
380	380	210	–	1380.680*	74/75
380	600	210	–	1038.680*	74/75
380	600	350	–	1338.680*	74/75
500	500	210	1050.650*	1050.680*	74/75
500	500	300	1350.650*	1350.680*	74/75
600	380	210	1039.650*	1039.680*	74/75
600	380	350	1339.650*	1339.680*	74/75
600	600	210	1060.650*	1060.680*	74/75
600	600	350	1360.650*	1360.680*	74/75
600	760	210	1076.650*	–	74/75
600	760	350	1376.650*	–	74/75

* Extended delivery times

AE compact enclosures, EMC shielded				
Width mm	Height mm	Depth mm	Model No. AE	Page
380	380	210	1380.700	302/303
600	380	210	1039.700	302/303
600	600	210	1060.700	302/303
800	1000	300	1180.700	302/303

AE compact enclosures, stainless steel				
Width mm	Height mm	Depth mm	Model No. AE	Page
200	300	155	1002.600	280/281
300	380	210	1005.600	280/281
380	300	155	1004.600	280/281
380	380	210	1006.600	280/281
380	600	210	1008.600	280/281
500	500	210	1007.600	280/281
500	500	300	1013.600	280/281
600	380	210	1009.600	280/281
600	600	210	1010.600	280/281
600	760	210	1012.600	280/281
760	760	300	1014.600	280/281
800	1000	300	1016.600	280/281
800	1200	300	1017.600	280/281
1000	1000	300	1018.600	280/281
1000	1200	300	1019.600	280/281



AE compact enclosures, stainless steel – see page 280/281.

AE compact enclosures EMC shielded – see page 302/303.

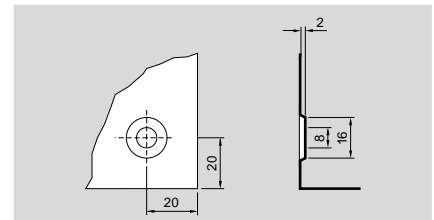
The alternative materials:

Plastic

- PK see page 32/33
- KS see page 86/87

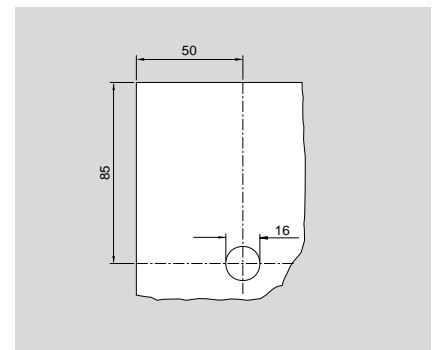
Cast aluminium

- GA see page 40/41



Wall mounting

Wall mounting holes are already provided on the rear (except with AE stainless steel and EMC version).



Eyebolts

All AEs with a height of 1000 mm and above have holes in the roof to accommodate eyebolts (except AE stainless steel and EMC version).



Connection facilities for PE conductors are provided on the enclosure, door and mounting plates.

Punched for interchangeable door hinges in all single-door models, except AE 1032.600 and AE 1035.600.

The prepunched holes for wall mounting brackets in the rear panel eliminate the need for additional marking out and drilling.

1 There are perforated mounting strips vertically spot-welded on both sides of the door, for speedier attachment of cable harnesses, cable ducts, and covers.
(On one side only with AE 1032.600 and AE 1035.600)

2 The foamed-in PU seal ensures a reliable seal.

3 Door opening angle approx. 130°, may be exchanged for 180° hinges SZ 2449.000.

4 An extra-narrow edge fold provides a more generous enclosure opening, which in turn means a larger mounting plate and more usable space with the same sized enclosure.

5 Multifolded enclosure protection channel prevents the ingress of dirt and water when the door is opened.

6 Mounting plate is depth-adjustable on studs.

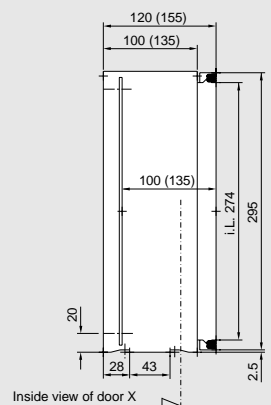
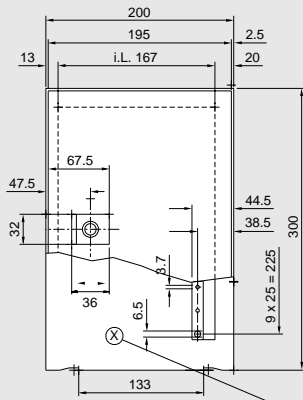
7 The sealed cable gland plates of sheet steel may be exchanged for prepunched plastic gland plates.

8 Enclosure folded from a single piece.

9 Electrophoretic dipcoat priming and textured powder coating in RAL 7032.

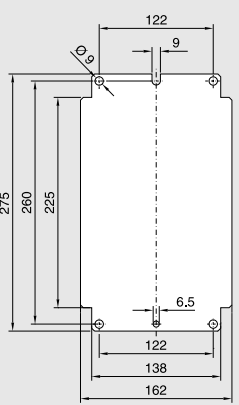
10 The double-bit insert with cam lock or locking rod is easily exchanged for any standard lock insert.

AE 1032.600 (AE 1035.600)

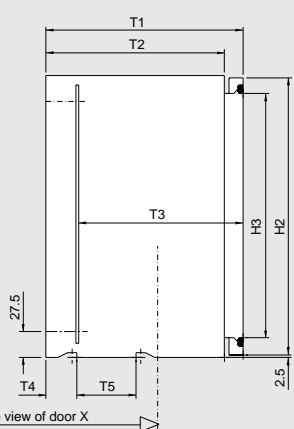
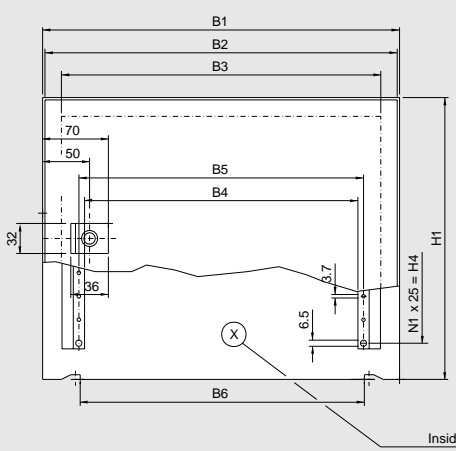


i.L. =
Clearance
width

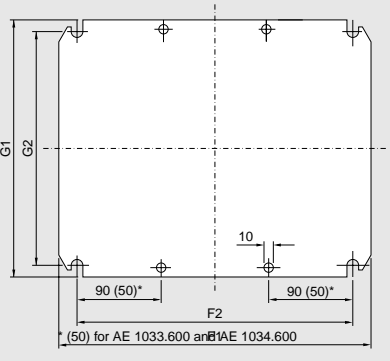
**Mounting plate
AE 1032.600 / AE 1035.600**



**AE 1030.600 / AE 1031.600 / AE 1033.600 / AE 1034.600 /
AE 1380.600 / AE 1039.600 / AE 1339.600**



**Mounting plate
AE 1030.600 / AE 1031.600 /
AE 1033.600 / AE 1034.600 /
AE 1380.600 / AE 1039.600 /
AE 1339.600**



Model No.	B2	B3	B4	B5	B6	H2	H3	H4	N1	T2	T3	T4	T5	F1	F2	G1	G2
AE 1033.600	295	260	211	223	233	295	260	225	9	190	168 - 184	33	45	254	215	275	250
AE 1034.600	295	260	211	223	233	395	360	325	13	190	168 - 184	33	45	254	215	375	350
AE 1030.600	375	340	291	303	303	295	260	225	9	132	113 - 129	33	63	334	295	275	250
AE 1031.600	375	340	291	303	303	295	260	225	9	190	168 - 184	33	63	334	295	275	250
AE 1380.600	375	340	291	303	303	375	340	275	11	190	168 - 184	33	63	334	295	355	330
AE 1039.600	595	560	511	523	500	375	340	275	11	190	168 - 184	38	113	549	510	355	330
AE 1339.600	595	560	511	523	500	375	340	275	11	330	308 - 324	38	113	549	510	355	330

Supply includes:

Enclosure of all-round solid construction, single door, 1 gland plate in the enclosure base, r/h door hinge may be swapped to opposite side (except with AE 1032.600 and AE 1035.600), with cam lock, foamed-in door sealing gasket and zinc-plated mounting plate.

Width (B1) in mm	Packs of	200	200	300	300	380	380	380	600	600	Page
Height (H1) in mm		300	300	300	400	300	300	380	380	380	
Depth (T1) in mm		120	155	210	210	155	210	210	210	350	
Model No. AE	1	1032.600	1035.600	1033.600	1034.600	1030.600	1031.600	1380.600	1039.600	1339.600	
Mounting plate thickness mm		2.0	2.0	2.0	2.0	2.0	2.0	2.0	2.5	2.5	
Weight (kg)		4.0	4.5	7.0	8.8	7.4	7.5	9.8	15.4	20.0	

Accessories

Self-tapping screws SZ	300	2487.000									969
Glazed door FT, 34 mm profile height	1	-	-	-	-	-	-	-	2730.000	2730.000	922
Glazed door FT, 60 mm profile height	1	-	-	-	-	-	-	-	2760.000	2760.000	922
Operating panels FT	1	2740.000**	2740.000**	-	-	2741.000	2741.000	2742.000	2744.000	2744.000	922
Rain canopy SZ of sheet steel	1	-	-	-	-	-	2501.200	2501.200	2502.200	2511.200	954
Rain canopy SZ of stainless steel	1	-	2470.000	2361.000	2361.000	2471.000	2472.000	2472.000	2473.000	-	954
Plastic cable gland plate SZ	10	2560.000	2560.000	-	-	2561.000	2561.000	2561.000	2563.000*	2563.000*	896
Swing frame SR	1	-	-	-	-	-	-	-	2026.200	2026.200	1021

Lock systems

Standard double-bit lock insert may be exchanged for 27 mm type A lock inserts (see page 942), safety cylinder, plastic handles and T handles, type B (see page 940 - 943)

* Packs of 5

** only for mounting on the rear wall

For primed enclosures in RAL 7044, please add extension .800 to the Model No. For textured RAL 7035, use extension .500. Delivery times on request.

COMPACT ENCLOSURES AE

Width: 200 – 600, height: 300 – 400



+ Accessories:

See page 876/877
or refer to index.

Material:

Sheet steel
Box: 1.38 mm;
1.25 mm for
AE 1032.600, AE 1035.600
1.50 mm for AE 1339.600
Door: 1.5 mm;
1.75 mm
for AE 1039.600 and
AE 1339.600

Surface finish:

Enclosure and door:
Dipcoat primed and powder
coated in textured RAL 7032
Mounting plate: Zinc-plated

Protection category:

IP 66 to EN 60 529/10.91
Complies with NEMA 12
(AE 1032.600, AE1035.600)
Complies with NEMA 4.
(AE 1030.600, AE 1031.600,
(AE 1380.600, AE 1039.600,
AE 1339.600)



Lock cover

Prepared for padlock or
multiple lock.
Model No. see page 945.



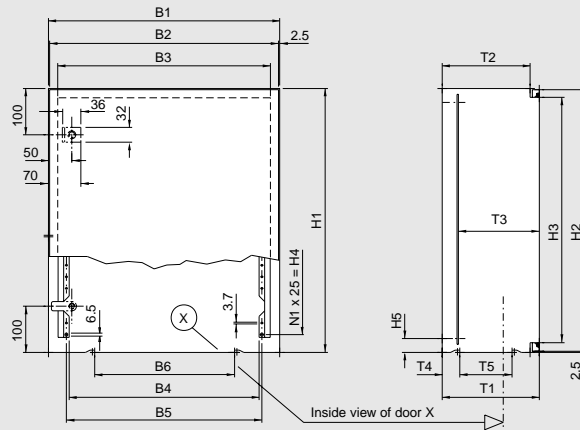
Pole clamp

for round or square poles.
Model No. see page 962.

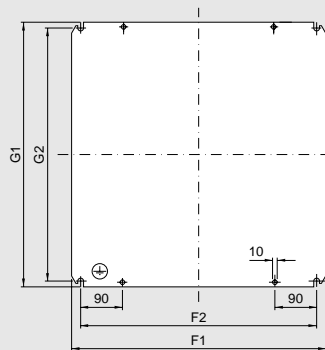


Rain canopy

Required for outdoor siting.
Model No. see page 954.



Mounting plate



Model No.	B2	B3	B4	B5	B6	H2	H3	H4	H5	T2	T3	T4	T5	N1	F1	F2	G1	G2
AE 1038.600	375	340	291	303	303	595	560	525	30	190	168 – 184	33	63	21	334	295	570	545
AE 1338.600	375	340	291	303	303	595	560	525	30	330	308 – 324	84	113	21	334	295	570	545
AE 1045.600	395	360	311	323	303	495	460	425	30	190	168 – 184	38	113	17	354	315	475	450
AE 1050.600	495	460	411	423	303	495	460	425	30	190	168 – 184	38	113	17	449	410	470	445
AE 1350.600	495	460	411	423	303	495	460	425	30	280	258 – 274	38	113	17	449	410	470	445
AE 1057.600	495	460	411	423	303	695	660	625	30	230	208 – 224	38	113	25	449	410	670	645
AE 1060.600	595	560	511	523	500	595	560	525	30	190	168 – 184	38	113	21	549	510	570	545
AE 1360.600	595	560	511	523	500	595	560	525	30	330	308 – 324	38	113	21	549	510	570	545
AE 1076.600	595	560	511	523	500	755	720	675	30	190	168 – 184	38	113	27	549	510	730	705
AE 1376.600	595	560	511	523	500	755	720	675	30	330	308 – 324	38	113	27	549	510	730	705
AE 1058.600	595	560	511	523	500	795	760	725	30	230	208 – 224	38	113	29	549	510	770	745
AE 1090.600	595	560	511	523	500	995	960	925	35	230	208 – 224	38	113	37	539	500	955	930

Supply includes:

Enclosure of all-round solid construction, single door,
1 gland plate in the enclosure base,

r/h door hinge, may be changed to opposite side, with 2 cam locks, foamed-in door sealing gasket, zinc-plated mounting plate.

Width (B1) in mm	Packs of	380	380	400	500	500	500	500	600	600	600	600	600	600	600	600	600	Page
Height (H1) in mm		600	600	500	500	500	700	600	600	600	760	760	800	1000				
Depth (T1) in mm		210	350	210	210	300	250	210	350	210	350	210	350	250	250			
Model No. AE	1	1038.600	1338.600	1045.600	1050.600	1350.600	1057.600	1060.600	1360.600	1076.600	1376.600	1058.600	1090.600					
Mounting plate thickness in mm		2.5	2.5	2.0	2.5	2.5	3.0	2.5	2.5	3.0	3.0	3.0	3.0					
Weight (kg)		15.6	19.4	13.0	16.8	19.6	31.2	22.8	28.4	32.1	36.0	34.2	50.5					

Accessories

Self-tap. screws SZ	300	2487.000													969
Glazed door FT 34 mm prof. height	1	-	-	-	2733.000	2733.000	-	2731.000	2731.000	2732.000	2732.000	-	-	922	
Glazed door FT 60 mm prof. height	1	-	-	-	2763.000	2763.000	-	2761.000	2761.000	2762.000	2762.000	-	-	922	
Oper. panels FT	1	2743.000	2743.000	-	2745.000	2745.000	-	2746.000	2746.000	-	-	-	-	922	
Plastic cable gland plate SZ	5	2561.000*	2562.000	2562.000	2562.000	2562.000	2562.000	2563.000	2563.000	2563.000	2563.000	2563.000	2563.000	896	
Sheet steel rain canopy SZ	1	2501.200	-	-	-	-	-	2502.200	2511.200	2502.200	2511.200	-	-	954	

Lock systems

Standard double-bit lock insert may be exchanged for 27 mm lock inserts, type A – see page 942
Safety cylinder, plastic handles and T handles, type B – see page 940 – 943

* Packs of 10

For primed enclosures in RAL 7044, please add extension .800 to the Model No. For textured RAL 7035, use extension .500.
Delivery times available on request.

COMPACT ENCLOSURES AE

Width: 380 – 600, height: 500 – 1000



+ **Accessories:**

See page 876/877 or refer to index.

Material:

Sheet steel
 Enclosure: 1.5 mm;
 1.38 mm for AE 1045.600,
 AE 1038.600, AE 1050.600,
 AE 1060.600, AE 1076.600
 Door: 2.0 mm;
 1.5 mm for AE 1045.600,
 1.75 mm for AE 1038.600,
 AE 1338.600, AE 1050.600,
 AE 1350.600, AE 1060.600,
 AE 1360.600

Surface finish:

Enclosure and door:
 Dipcoat primed in RAL 7044,
 powder coated in textured
 RAL 7032 on the outside
 Mounting plate: Zinc-plated

**Protection category
 to EN 60 529/10.91:**

IP 66
 IP 56 for AE 1076.600,
 AE 1376.600, AE 1057.600,
 AE 1058.600, AE 1090.600
 Complies with NEMA 4.



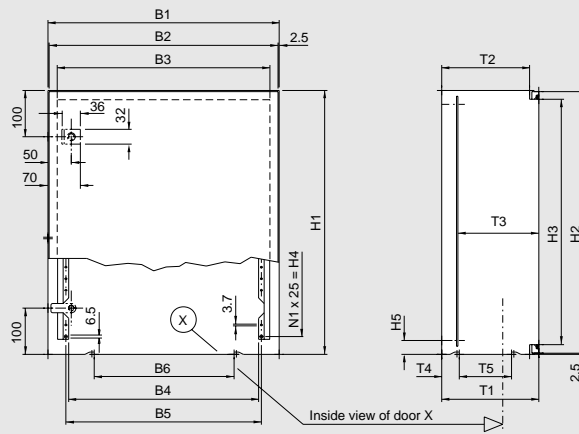
Wall angle also suitable for mounting enclosures with heavy installed equipment.
 Model No. see page 963.



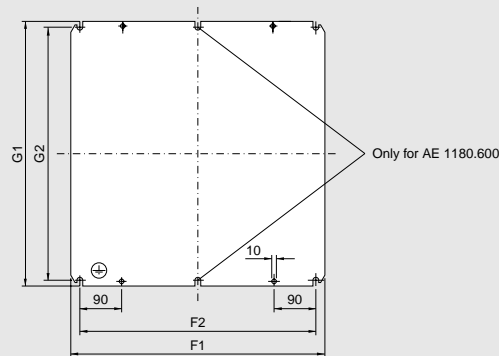
Wall mounting bracket
 For simple mounting directly to the wall.
 Model No. see page 962.



Wall mounting bracket
 Permits cable routing behind the enclosure.
 Model No. see page 962.



Mounting plate



Model No.	B2	B3	B4	B5	B6	H2	H3	H4	H5	T2	T3	T4	T5	N1	F1	F2	G1	G2
AE 1077.600	755	720	671	683	500	755	720	675	30	190	168 – 184	38	113	27	704	665	730	705
AE 1073.600	755	720	671	683	500	755	720	675	30	280	258 – 274	38	113	27	704	665	730	705
AE 1180.600	795	760	711	723	500	995	960	925	35	280	258 – 274	70	113	37	739	700	955	930

Supply includes:

Enclosure of all-round solid construction, single door, 1 gland plate in the enclosure base,

r/h door hinge, may be changed to opposite side, with 2 cam locks, foamed-in door sealing gasket, zinc-plated mounting plate.

Width (B1) in mm	Packs of	760	760	800	Page
Height (H1) in mm		760	760	1000	
Depth (T1) in mm		210	300	300	
Model No. AE	1	1077.600	1073.600	1180.600	
Mounting plate thickness mm		3.0	3.0	3.0	
Weight (kg)		40.0	44.5	57.0	

Accessories

Self-tapping screws SZ	300		2487.000		969
Stainless steel rain canopy SZ	1	–	2474.000	2475.000	954
Plastic cable gland plate SZ	5	2563.000	2563.000	2563.000	896
Swing frame SR	1		2034.200	–	1021

Lock systems

Standard double-bit lock insert may be exchanged for 27 mm lock inserts, type A – see page 942
 Safety cylinder, plastic handles and T handles, type B – see page 940 – 943

For primed enclosures in RAL 7044, please add extension .800 to the Model No. For textured RAL 7035, use extension .500. Delivery times available on request.

COMPACT ENCLOSURES AE

Width: 760/800, height: 760/1000



+ Accessories:

See page 876/877
or refer to index.

Material:

Sheet steel
Enclosure: 1.5 mm
Door: 2.0 mm

Surface finish:

Enclosure and door:
Dipcoat primed in RAL 7044,
powder coated in textured
RAL 7032 on the outside
Mounting plate: Zinc-plated

Protection category to EN 60 529/10.91:

IP 56
Complies with NEMA 4.



Semi-cylinder lock

For retro-fitting to all single-
door enclosures with cam
lock.
Model No. see page 945.



Universal bracket

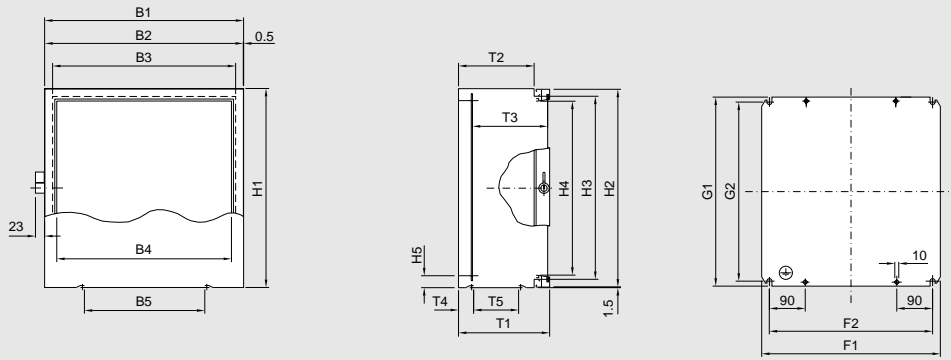
For simple mounting of
additional accessories
(e.g. cable conduit holders).
Model No. see page 996.



Support strips for AE

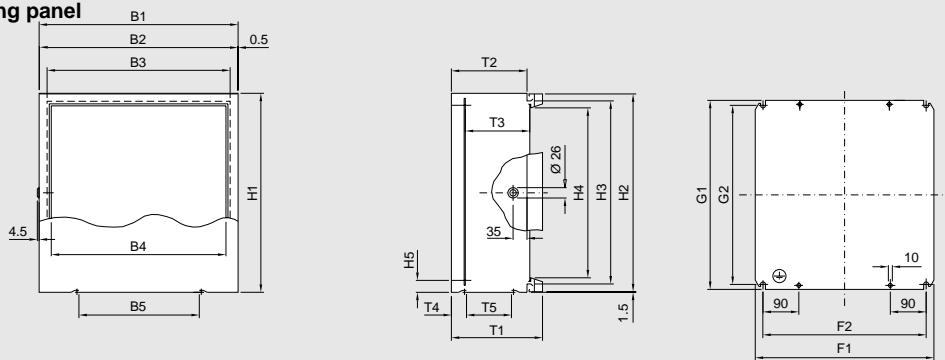
For direct screw-fastening to
the vertical perforated
mounting strips in AE doors.
Model No. see page 950.

AE with glazed door



Model No.	B2	B3	B4	B5	H2	H3	H4	H5	T2	T3	T4	T5	F1	F2	G1	G2
AE 1050.650	499	460	439	303	497	460	437	30.0	190	182 – 199	38	113	449	410	470	445
AE 1350.650	499	460	439	303	497	460	437	30.0	280	272 – 289	38	113	449	410	470	445
AE 1039.650	599	560	539	500	377	340	317	27.5	190	182 – 199	38	113	549	510	355	330
AE 1339.650	599	560	539	500	377	340	317	27.5	330	322 – 339	38	113	549	510	355	330
AE 1060.650	599	560	539	500	597	560	537	30.0	190	182 – 199	38	113	549	510	570	545
AE 1360.650	599	560	539	500	597	560	537	30.0	330	322 – 339	38	113	549	510	570	545
AE 1076.650	599	560	539	500	757	720	697	30.0	190	182 – 199	38	113	549	510	730	705
AE 1376.650	599	560	539	500	757	720	697	30.0	330	322 – 339	38	113	549	510	730	705

AE with operating panel



Model No.	B2	B3	B4	B5	H2	H3	H4	H5	T2	T3	T4	T5	F1	F2	G1	G2
AE 1030.680	379	340	309	303	297	260	227	27.5	135	99 – 116	33	63	334	295	275	250
AE 1031.680	379	340	309	303	297	260	227	27.5	190	154 – 171	33	63	334	295	275	250
AE 1380.680	379	340	309	303	377	340	307	27.5	190	154 – 171	33	63	334	295	355	330
AE 1038.680	379	340	309	303	597	560	527	30.0	190	154 – 171	33	63	334	295	570	545
AE 1338.680	379	340	309	303	597	560	527	30.0	330	294 – 311	38	113	334	295	570	545
AE 1050.680	499	460	429	303	497	460	427	30.0	190	154 – 171	38	113	449	410	470	445
AE 1350.680	499	460	429	303	497	460	427	30.0	280	244 – 261	38	113	449	410	470	445
AE 1039.680	599	560	529	500	377	340	307	27.5	190	154 – 171	38	113	549	510	355	330
AE 1339.680	599	560	529	500	377	340	307	27.5	330	294 – 311	38	113	549	510	355	330
AE 1060.680	599	560	529	500	597	560	527	30.0	190	154 – 171	38	113	549	510	570	545
AE 1360.680	599	560	529	500	597	560	527	30.0	330	294 – 311	38	113	549	510	570	545

Width (B1) in mm	Packs of	380	380	380	380	380	500	500	600
Height (H1) in mm		300	300	380	600	600	500	500	380
Depth (T1) in mm		174	229	229	229	369	229	319	229
Model No. AE with glazed door	1	–	–	–	–	–	1050.650	1350.650	1039.650
Model No. AE w. operating panel	1	1030.680	1031.680	1380.680	1038.680	1338.680	1050.680	1350.680	1039.680
Mounting plate thickness mm		2.0	2.0	2.0	2.5	2.5	2.5	2.5	2.5

Width (B1) in mm	Packs of	600	600	600	600	600
Height (H1) in mm		380	600	600	760	760
Depth (T1) in mm		369	229	369	229	369
Model No. AE with glazed door	1	1339.650	1060.650	1360.650	1076.650	1376.650
Model No. AE w. operating panel	1	1339.680	1060.680	1360.680	–	–
Mounting plate thickness mm		2.5	2.5	2.5	3.0	3.0

* Extended delivery times

Lock systems

Operating panel: Standard double-bit lock insert may be exchanged for 41 mm inserts, type C, see page 942 and type C plastic handle, see page 940

COMPACT ENCLOSURES AE

with glazed door and operating panel



+ Accessories:

See page 876/877 or refer to index.

Supply includes AE with operating panel:

Enclosure of all-round solid construction, 1 gland plate in the enclosure base, double-bit cam lock in left-hand extrusion, mounting plate: Zinc-plated, r/h hinged aluminium frame, operating panel plate.

Supply includes AE with glazed door:

Enclosure of all-round solid construction, 1 gland plate in the enclosure base, mounting plate: Zinc-plated; With 34 mm glazed door: Aluminium frame,

glazed acrylic pane, hinges, plastic handle with lock insert no. 3524 E.

Material:

Enclosure: Sheet steel
Operating panel: Operating panel plate and frame aluminium
Glazed door: Aluminium frame and glazed acrylic pane

Surface finish:

Enclosure: Dipcoat primed in RAL 7044, powder coated in textured RAL 7032 on the outside
Aluminium parts: Natural anodised
Mounting plate: Zinc-plated

Protection category:
IP 54 to EN 60 529/10.91

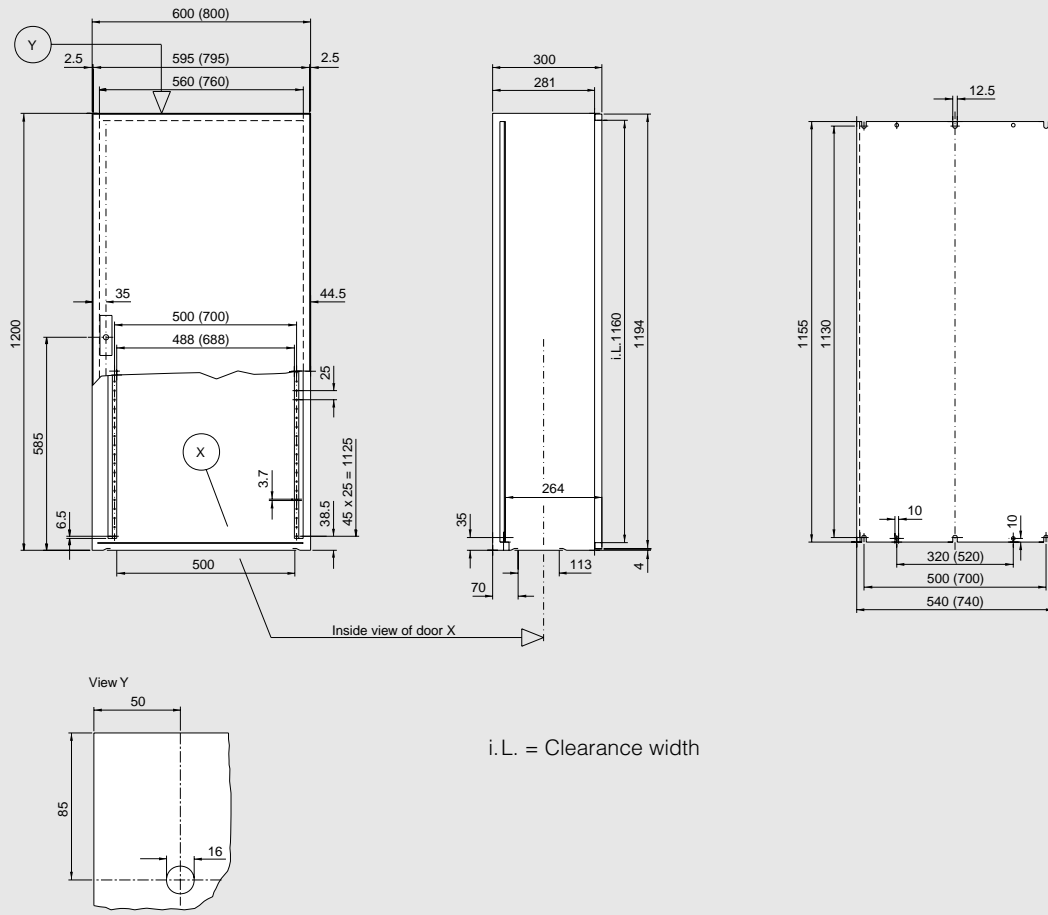


Universal bracket
For simple mounting of various accessory parts.
Model No. see page 996.



Command panel based on AE with VIP frame
see page 230/231.

AE 1260.600 (AE 1280.600)



Supply includes:

Enclosure of all-round solid construction, single door,
 1 gland plate in the enclosure base,
 r/h door hinge, can be changed to opposite side,
 3-point lock system, prepared for use of the Ergoform-S lock system,
 foamed-in door sealing gasket,
 zinc-plated mounting plate.

Note:

400 mm deep AK enclosures, see page 84/85.

Width in mm	Packs of	600	800	Page
Height in mm		1200	1200	
Depth in mm		300	300	
Model No. AE	1	1260.600	1280.600	
Weight (kg)		55.0	70.0	

Accessories

Self-tapping screws SZ	300	2487.000	969
Base/plinth SO	Height 100 mm	2816.200	884
	Height 200 mm	2826.200	884
Rain canopy SZ of stainless steel	1	-	954
Plastic cable gland plate SZ	5	2563.000	896
Eyebolts SZ	4	2509.000	957

Lock systems

Standard double-bit lock insert may be exchanged for 27 mm lock inserts, type A – see page 942 and Ergoform-S lock system – see page 939

For primed enclosures in RAL 7044, please add extension .800 to the Model No. For textured RAL 7035, use extension .500. Delivery times available on request.

COMPACT ENCLOSURES AE

Width: 600/800, height: 1200



+ Accessories:

See page 876/877 or refer to index.

Material:

Sheet steel
Enclosure: 1.5 mm
Door: 2.0 mm
Mounting plate: 3.0 mm

Surface finish:

Enclosure and door:
Dipcoat primed in RAL 7044,
powder coated in textured
RAL 7032 on the outside
Mounting plate: Zinc-plated

Protection category:

IP 56 to EN 60529/10.91
Complies with NEMA 12.



Ergoform-S lock system – easy to fit, with interchangeable inserts.
Model No. see page 939.

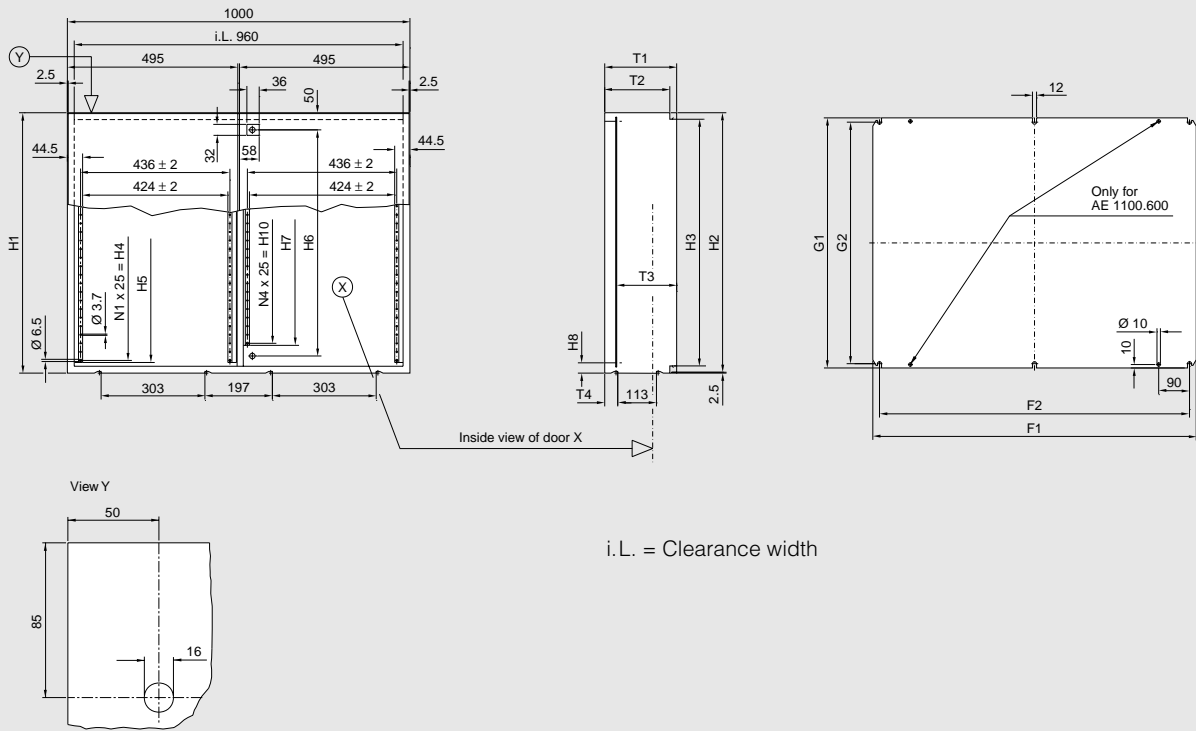


Eyebolts for safe transportation of enclosures, even when populated.
Model No. see page 957.



Base/plinth For cable entry when sitting on the floor.
Model No. see page 884.

AE 1100.600 / AE 1130.600 / AE 1110.600



Model No.	H2	H3	H4	H5	H6	H7	H8	H10	N1	N4	T2	T3	T4	F1	F2	G1	G2
AE 1100.600	755	720	675	698	660	598	30	575	27	23	190	168 – 184	38	944	905	730	705
AE 1130.600	755	720	675	698	660	598	30	575	27	23	280	258 – 274	70	944	905	730	705
AE 1110.600	995	960	925	938	900	838	35	825	37	33	280	258 – 274	70	939	900	955	930

Supply includes:

Enclosure of all-round solid construction,
 double-door,
 2 gland plates in the enclosure base,
 with two cam locks,
 foamed-in door sealing gasket,
 zinc-plated mounting plate.

Width in mm	Packs of	1000	1000	1000	Page
Height (H1) in mm		760	760	1000	
Depth (T1) in mm		210	300	300	
Model No. AE	1	1100.600	1130.600	1110.600	
Weight (kg)		52.0	56.0	71.0	

Accessories

Self-tapping screws SZ	300		2487.000		969
Base/plinth SO	Height 100 mm	1	-	-	2801.200
	Height 200 mm	1	-	-	2802.200
Rain canopy SZ of stainless steel	1	-	2363.000	2363.000	954
Plastic cable gland plate SZ	5	2562.000	2562.000	2562.000	896

Lock systems

Standard double-bit lock insert may be exchanged for 27 mm lock inserts, type A – see page 942

For primed enclosures in RAL 7044, please add extension .800 to the Model No. For textured RAL 7035, use extension .500. Delivery times available on request.

COMPACT ENCLOSURES AE

Width: 1000, height: 760/1000



+ Accessories:

See page 876/877 or refer to index.

Material:

Sheet steel
Enclosure: 1.5 mm
Door: 2.0 mm
Mounting plate: 3.0 mm

Surface finish:

Enclosure and door:
Dipcoat primed in RAL 7044,
powder coated in textured
RAL 7032 on the outside
Mounting plate: Zinc-plated

Protection category:

IP 55 to EN 60529/10.91
Complies with NEMA 12.



System mounting block

For mounting cable ties,
C rails etc.
Model No. see page 996.



Door stay

To hold open the door.
Model No. see page 953.



180° hinge

For a wider door opening
angle.
Model No. see page 949.

COMPACT ENCLOSURES AE

Width: 1000, height: 1200/1400



+ Accessories:

See page 876/877 or refer to index.

Material:

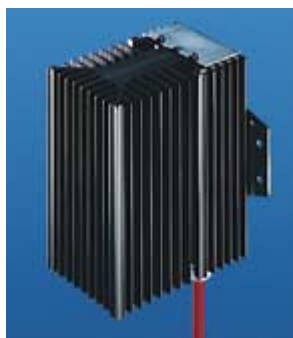
Sheet steel
Enclosure: 1.5 mm
Door: 2.0 mm
Mounting plate: 3.0 mm

Surface finish:

Enclosure and door:
Dipcoat primed in 7044,
powder coated on the outside
in textured RAL 7032
Mounting plate: Zinc-plated

Protection category:

IP 55 to EN 60 529/10.91
Complies with NEMA 12.



Heater
To prevent condensation
inside the enclosure.
Model No. page 562/563.



Fan-and-filter unit
To assist heat dissipation.
Model No. page 540 – 551.



Heat exchanger
For heat dissipation in
aggressive environments.
Model No. page 520 – 539.

Compact enclosures AK

Rittal offers a powerful midway solution for smaller control units and sub-divisions. Proven a million times over, it also has the correct volume to suit every space requirement.

All AK enclosures have the following approvals:

- UL
- CSA
- TÜV
- Germanischer Lloyd
- Norske Veritas
- Russian Maritime Register of Shipping
- Lloyds Register of Shipping
- Bureau Veritas
- VDE



W mm	H mm	D mm	Model No. AK	Page
600	1200	400	1646.600	84/85
800	1200	400	1648.600	
1000	1200	400	1650.600	
1000	1400	400	1647.600	
1200	1200	400	1652.600	



The sealed two-part gland plates are easily removed and can also be fitted with a self-adhesive foam rubber cable clamp strip (see page 893).



The standard double-bit lock insert is easily exchanged for any standard type A 27 mm lock insert and Ergoform-S lock system.



Holes are provided in the top to accommodate eyebolts.



The robust, space-saving hinges with captive pins guarantee a door opening angle of 130°. Easily converted to 180° hinges (see page 949).

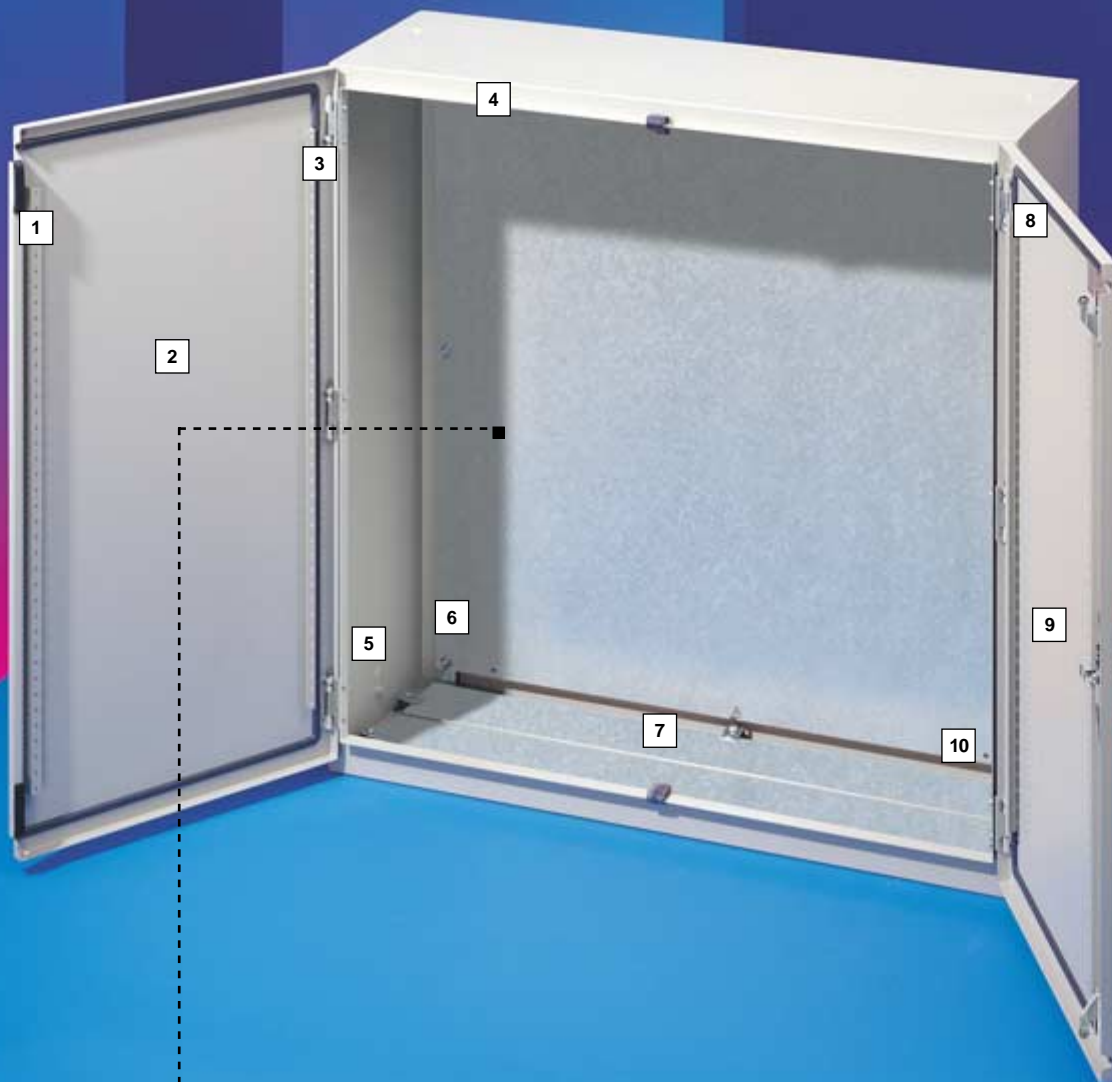


The high floor clearance of 33 mm eliminates the need for an additional base/plinth in many applications.



The 800 and 1200 mm wide enclosures can be integrated into AP console systems, additional holes are required.





1 Vertically arranged perforated mounting strips on the door for quick, easy attachment of cable supports, cable trunking, stiffeners and covers.

3 Door hinge may be swapped from right to left in all single-door enclosures, by simply unscrewing and re-positioning the hinges. Double doors may also be swapped.

5 Facilities for PE conductor connection on the enclosure and door with contact washers.

7 The 2-part, zinc-plated gland plates are easily removed and retro-fitted with the rubber cable clamp strip SZ 2573.000.

9 Smooth-action locking rod with waterproof double-bit insert to DIN 43668. Easily exchanged for any standard lock insert and the Ergoform-S lock system.

2 Electrophoretic dipcoat priming and powder coating – the safe form of surface protection, with uniform coating of all corners and edges in textured RAL 7032.

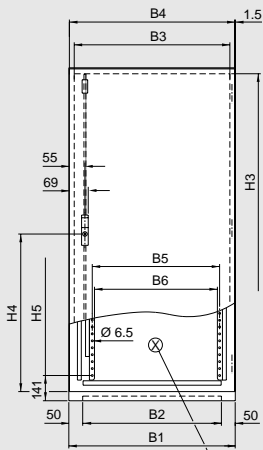
4 The multi-folded enclosure aperture is angled upwards and provides increased stability and greater protection against dust and moisture when opening the door.

6 The mounting plate, which is secured with studs, is easily removed and refitted.

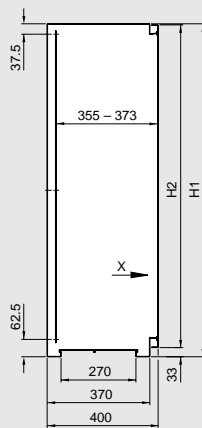
8 Foamed seal on the inside of the door ensures protection category IP 55 to EN 60 529/10.91.

10 The robust, space-saving hinges do not protrude into either the door opening or the enclosure interior. Easily converted to 180° with hinges SZ 2579.000

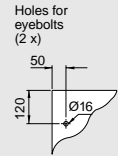
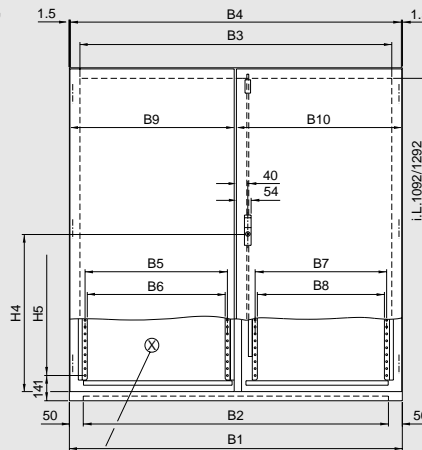
AK 1646.600, AK 1648.600



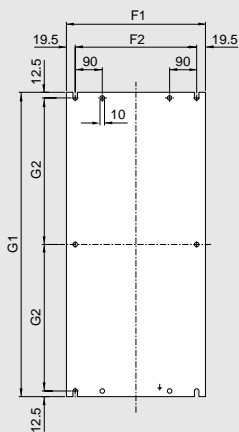
AK 1646.600, AK 1647.600, AK 1648.600, AK 1650.600, AK 1652.600



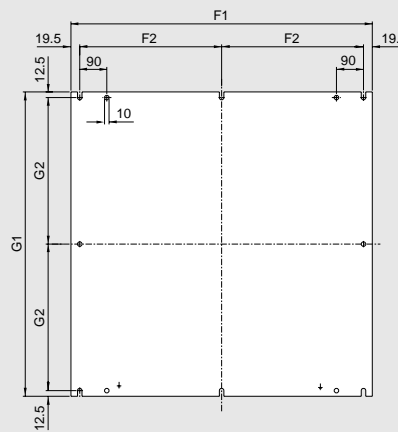
AK 1647.600, AK 1650.600, AK 1652.600



Mounting plate AK 1646.600, AK 1648.600



Mounting plate AK 1647.600, AK 1650.600, AK 1652.600



Model No.	B1	B2	B3	B4	B5	B6	B7	B8	B9	B10	H1	H2	H3	H4	H5	F1	F2	G1	G2
AK 1646.600	600	500	524	597	459	443	-	-	-	-	1200	1166	1092	568	38x25 = 950	514	475	1125	550
AK 1648.600	800	700	724	797	659	643	-	-	-	-	1200	1166	1092	568	38x25 = 950	714	675	1125	550
AK 1652.600	1200	1100	1124	1197	513	497	477	461	595	597	1200	1166	1092	568	38x25 = 950	1114	1075	1125	550
AK 1650.600	1000	900	924	997	413	397	377	361	495	497	1200	1166	1092	568	38x25 = 950	914	437.5	1125	550
AK 1647.600	1000	900	924	997	413	397	377	361	495	497	1400	1366	1292	668	46x25 = 1150	914	437.5	1325	650

Supply includes:

Enclosure of all-round solid construction, r/h door hinge, can be changed to opposite side, AK 1652.600, AK 1650.600, AK 1647.600:

Lockable door on r/h side, foamed-in door sealing gasket, holes provided for eyebolts, mounting plate, two-part gland plates.

Width (B1) in mm	Packs of	600	800	1000	1000	1200	Page
Height (H1) in mm		1200	1200	1200	1400	1200	
Depth in mm		400	400	400	400	400	
Model No. AK	1	1646.600	1648.600	1650.600	1647.600	1652.600	
Doors		1	1	2	2	2	
Weight (kg)		60.0	75.0	88.5	103.5	108.0	

Accessories for external mounting

Accessories	Quantity	2911.200	2901.200	2891.200	2891.200	2921.200	884
Base/plinth SO	Height 100 mm	1	2911.200	2901.200	2891.200	2891.200	884
	Height 200 mm	1	2912.200	2902.200	2892.200	2892.200	884
	Height 300 mm	1	1656.200	1658.200	-	1662.200	889
Mobile base on castors SO	1	2979.200	2983.200	-	-	-	889
Eyebolts SZ	4	2509.000	2509.000	2509.000	2509.000	2509.000	957

Accessories interior installation

Accessories	Quantity	2036.200	2038.200	1805.200	1805.200	2037.200	898
Cable clamp rails	3	2036.200	2038.200	1805.200	1805.200	2037.200	898

Lock systems

Standard double-bit lock insert may be exchanged for 27 mm lock inserts, type A – see page 942 and Ergoform-S lock system – see page 939

For primed enclosures in RAL 7044, please add extension .800 to the Model No. For textured RAL 7035, use extension .500. Delivery times available on request.



+ Accessories:

See page 876/877 or refer to index.

Material:

Sheet steel
Enclosure: 1.5 mm
Door(s): 2.0 mm
Mounting plate: 3.0 mm

Surface finish:

Enclosure and door(s):
Dipcoat primed in RAL 7044,
powder coated on the outside
in textured RAL 7032
Mounting plate: Zinc-plated

Protection category:

IP 55 to EN 60 529/10.91
Complies with NEMA 12.



System window to protect against unauthorised access and preserve the protection category.
Model No. see page 928.



Connection component with circuit-breaker 10 A.
To supply system lights.
Model No. see page 999.



Signal pillar
For system monitoring.
Model No. see page 1000.

Plastic enclosures KS

Fully insulated enclosures to VDE 0100, paragraph 6.2, of fibreglass-reinforced, unsaturated polyester, self-extinguishing to ASTM D 635 and UL 94-V0, withstanding temperatures of between -30 °C and +100 °C, dyed light grey throughout, in a shade similar to RAL 7032 to DIN 43 656; suitable for overpainting.

Standard threaded brass inserts M8 x 15 in the rear panel for direct wall mounting of the enclosure from behind or for the use of wall mounting brackets. Press-fitted C rails in the enclosure to accommodate infinitely variable mounting plate adjustment brackets KS 1481.000 and KS 1491.000, allowing you to create several mounting levels. Double seal at the top and bottom edge of the door in all enclosures, thanks to a built-in rain protection strip of hard PVC with co-extruded PVC sealing lip.

German patent no. P 34 40 899
European patent no. P 0 180 825
with validity for BE, FR
US patent no. 4,665,654
Japanese patent no. P 1 659 174

Plastic enclosures KS have the following approvals:

- UL (without viewing window)
- CSA (without viewing window)
- TÜV
- Germanischer Lloyd
- Norske Veritas
- Russian Maritime Register of Shipping
- Lloyds Register of Shipping
- Bureau Veritas
- VDE

Plastic enclosures KS					
Width mm	Height mm	Depth mm	Model No. KS w/o viewing window	Model No. KS w. viewing window	Page
200	300	150	1423.600	–	88/89
250	350	150	1432.600	–	
300	400	200	1434.600	–	
400	400	200	1444.600	1448.600	
400	600	200	1446.600	1449.600	
500	500	300	1453.600	1454.600	
600	600	200	1466.600	1467.600	
600	800	300	1468.600	1469.600	90/91
800	1000	300	1480.600	1479.600	
1000	1000	300	1400.600	–	



Rittal plastic enclosures KS: The alternative for all situations where special protection is required, e.g. for external siting or in aggressive ambient conditions.

Fitted as standard with universal mounting aids, such as press-fitted rows of inserts, in the enclosure and door.





1 Press-fitted C rails in the enclosure to accommodate infinitely variable mounting plate adjustment brackets KS 1481.600 and KS 1491.600, allowing you to create several mounting levels.

2 Mounting plate secured on screw-in studs in threaded brass inserts M8 x 12.5, for easy installation and removal.

3 Prepunched guide bushes in the rear wall of the enclosure for drilling without marking out; direct screw-fastening of the enclosures from the front.

4 Fully insulated enclosure of fibreglass-reinforced, unsaturated polyester.

5 Mounting plate of 2 – 3 mm sheet steel, zinc-plated.

6 Door lock with water-proof double-bit 3 mm lock insert to DIN 43 668 of fibreglass-reinforced polyamide. May be exchanged for type E lock inserts, see page 942.

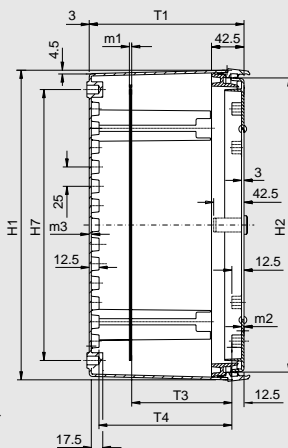
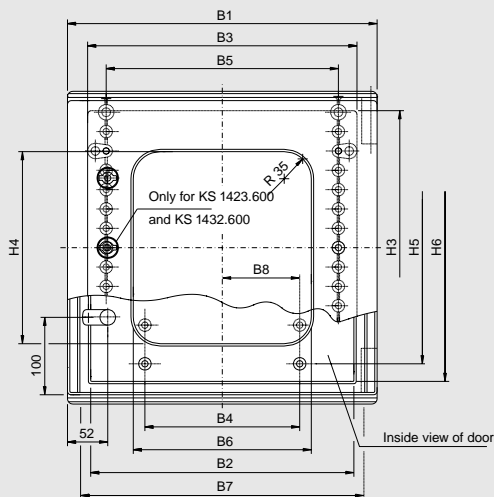
7 Double seal at the top and bottom edges of the door in all enclosures, thanks to a built-in rain protection strip of hard PVC with co-extruded PVC sealing lip.

8 All-round foamed-in PU seal in the moulded U-section of the door.

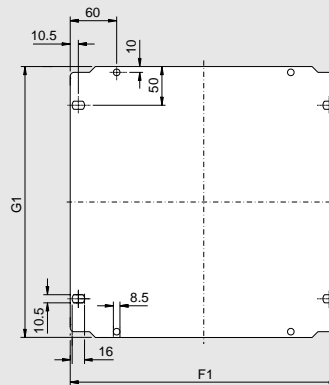
9 Press-fitted mounting inserts in the door and rear panel of the enclosure serve as a mounting aid for attaching cable trunking and cross rails, and for direct screw fastening using threaded inserts.

10 Enclosures with locking rod (see page 90/91) have additional door reinforcement.

11 KS 1400.600 additionally with centre bar in the enclosure, which may be dismantled.



Mounting plate



KS 1423.600 and KS 1432.600 with only one cam lock in the centre

B7 = Separation width for wall fixing hole
H7 = Separation height for wall fixing hole

Model No.	B1	B2	B3	B4	B5	B6*	B7	B8	H1	H2	H3	H4*	H5	H6	H7	T1	T3	T4	m1	m2	m3	F1	G1
KS 1423.600	200	140	150	-	100	-	150	25	300	280	256	-	200	245	250	150	80 - 110/117	119	2.0	3.0	3.0	145	250
KS 1432.600	250	190	200	75	150	-	200	50	350	330	306	-	250	295	300	150	80 - 110/117	119	2.0	3.0	3.0	195	300
KS 1434.600	300	240	249	100	200	-	250	50	400	380	355	-	300	345	350	200	80 - 160/167	169	2.0	3.0	3.0	245	350
KS 1444.600 / KS 1448.600	400	340	348	200	300	230	350	100	400	380	354	250	300	345	350	200	80 - 159/166	168.5	2.5	3.2	3.2	345	350
KS 1446.600 / KS 1449.600	400	340	348	200	300	230	350	100	600	580	554	450	500	545	550	200	80 - 158/165	168	2.5	3.5	3.5	345	550
KS 1466.600 / KS 1467.600	600	540	548	400	500	430	550	200	600	580	554	450	500	545	550	200	80 - 158/165	168	2.5	3.5	3.5	545	550
KS 1453.600 / KS 1454.600	500	440	434	300	400	330	450	150	500	480	454	350	400	445	450	300	80 - 258/265	268	2.5	3.5	3.5	417	450

* Only for enclosures with viewing window

Supply includes:

Enclosure of solid all-round construction, r/h hinge, may be changed to the opposite side by inverting the enclosure (only with single-door models), mounting plate, all-round foamed-in PU seal in the door, double seal, on the top and bottom edges of the door (built-in rain protection strip), press-fitted C rails at the sides for infinitely variable mounting plate adjustment bracket.

	Packs of	without viewing window								with viewing window				Page
Width (B1) in mm		200	250	300	400	400	500	600		400	400	500	600	
Height (H1) in mm		300	350	400	400	600	500	600		400	600	500	600	
Depth (T1) in mm		150	150	200	200	200	300	200		200	200	300	200	
Model No. KS	1	1423.600	1432.600	1434.600	1444.600	1446.600	1453.600	1466.600		1448.600	1449.600	1454.600	1467.600	
Doors		1	1	1	1	1	1	1		1	1	1	1	
Weight (kg)		3.0	4.1	6.0	7.9	11.5	12.9	15.9		8.0	11.5	13.4	15.9	

Accessories for interior installation

Mounting plate adjustment brackets KS	4	1481.000				1491.000	1481.000	1481.000		1491.000	1481.000	965
Self-tapping screws SZ	300	2487.000						2487.000				969

Lock systems

Standard double-bit lock insert may be exchanged for type E lock inserts, see page 942 and type E plastic handle KS 1484.000 - see page 940

PLASTIC ENCLOSURES KS

Width: 200 – 600, height: 300 – 600



+ **Accessories:**

See page 876/877 or refer to index.

Material:

Enclosure and door:
Fibreglass-reinforced,
unsaturated polyester
Mounting plate:
KS 1423.600 – KS 1434.600:
Sheet steel 2.0 mm
KS 1444.600 – KS 1467.600:
Sheet steel 2.5 mm
For KS with viewing window:
Impact resistant 3.0 mm
glazed acrylic with all-round
rubber cable clamp strip

Surface finish:

Enclosure and door:
No after-treatment as plastic
is dyed similar to RAL 7032
Mounting plate: Zinc-plated

Protection category:

KS without viewing window:
IP 66 to EN 60529/10.91
Complies with NEMA 4x.
KS with viewing window:
IP 56 to EN 60529/10.91
Complies with NEMA 12.



Wall mounting bracket
For simple attachment directly
to the wall.
Model No. see page 962.

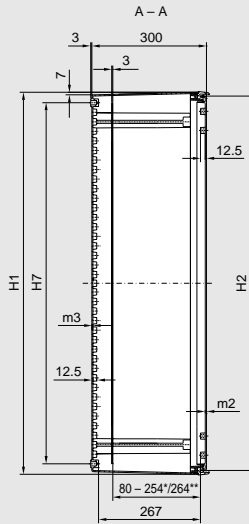
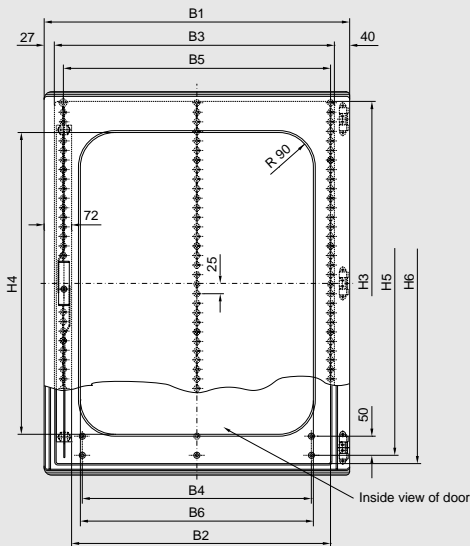


Mounting clip
For quick, secure fastening of
cable trunking etc.
Model No. see page 983.

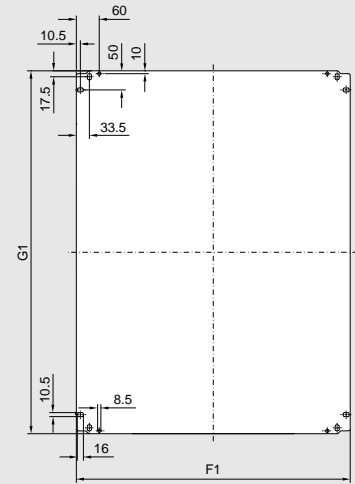


Threaded inserts M6
For simple attachment of
C rails, cable trunking etc.
Model No. see page 996.

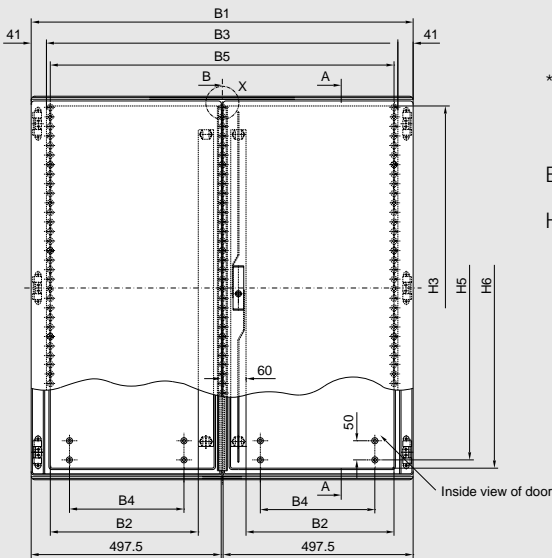
KS 1469.600 / KS 1479.600
KS 1468.600 / KS 1480.600 without viewing window



Mounting plate



KS 1400.600



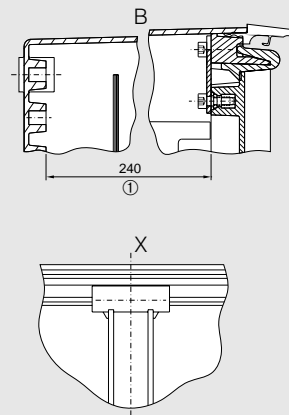
* Infinitely variable with mounting plate depth adjuster KS 1491.000, see page 965

** When mounting on studs directly on the threaded insert

B7 = Separation width for wall mounting hole
 H7 = Separation height for wall mounting hole

Detail B and X, screw-fastened centre bar for KS 1400.000

① Distance from mounting insert to centre bar



Model No.	B1	B2	B3	B4	B5	B6 ¹⁾	B7	H1	H2	H3	H4 ¹⁾	H5	H6	H7	m2	m3	G1	F1
KS 1468.600 / KS 1469.600	600	485	533	400	500	410	550	800	780	753	590	700	740	750	3.7	3.7	750	517
KS 1479.600 / KS 1480.600	800	685	733	600	700	610	750	1000	980	953	790	900	940	950	3.7	4.0	950	717
KS 1400.600	1000	387	918	300	900	-	950	1000	980	952	-	900	940	950	3.5	4.0	950	917

¹⁾ Only in enclosures with viewing window

Supply includes:

Enclosure of solid all-round construction, r/h door hinge, may be changed to the opposite side by inverting the enclosure (only with single-door models), mounting plate. All-round foamed-in PU seal in the door,

double seal on the top and bottom edges of the door (built-in rain protection strip), press-fitted C rails at the sides for infinitely variable mounting plate adjustment bracket. KS 1400.600 additionally with centre bar in the enclosure, which may be dismantled.

	Packs of	without viewing window			with viewing window		Page
Width (B1) in mm		600	800	1000	600	800	
Height (H1) in mm		800	1000	1000	800	1000	
Depth (T1) in mm		300	300	300	300	300	
Model No. KS	1	1468.600	1480.600	1400.600	1469.600	1479.600	
Doors		1	1	2	1	1	
Weight (kg)		26.0	39.0	50.0	25.0	33.0	

Accessories for interior installation

Mounting plate adjustment bracket KS	4	1491.000	1491.000	965
Self-tapping screws SZ	300	2487.000	2487.000	969

Lock systems

Standard double-bit lock insert may be exchanged for type E lock inserts – see page 942 and Ergoform-S lock system, KS 1490.000 – see page 939

PLASTIC ENCLOSURES KS

Width: 600 – 1000, height: 800 – 1000



+ **Accessories:**

See page 876/877 or refer to index.

Material:

Enclosure and door:
Fibreglass-reinforced,
unsaturated polyester
Mounting plate:
Sheet steel 3.0 mm
For KS with viewing window:
Impact resistant 3.0 mm
glazed acrylic with all-round
rubber cable clamp strip

Surface finish:

Enclosure and door:
No after-treatment as plastic
is dyed similar to RAL 7032
Mounting plate: Zinc-plated

**Protection category
to EN 60529/10.91:**

IP 66 for KS 1468.600
IP 56 for KS 1400.600,
KS 1469.600, KS 1479.600,
KS 1480.600

Single-door KS without viewing
windows comply with NEMA 4x.
Double-door KS and single-
door KS with viewing window
comply with NEMA 12.



KS lock system
May be exchanged for the
existing double-bit lock insert.
Model No. see page 939.



Pole clamp
For attachment to poles,
independent of floor support.
Model No. see page 962.



Enclosure heater
To prevent condensation.
Model No. see page 562/563.